

US MARKET - 2025



USA

www.eaeusa.us

2024

Company Information – Istanbul HQ / Kocaeli TR Factories



Established 1973



2,900,000 sq ft
Closed
Manufacturing Area



+500 Engineers
and Experts



6 Factories

Export to more
than 100
countries



3 R&D Centers

About EAE



Experience

Manufacturing busway systems since 1973
Exporting to 100 countries with more than 30,000 global references
Wide range of busway systems
Expertise in design, site measurement, installation, supervision, and testing



Flexibility

Custom made special modules & solutions
Project Support in the US utilizing 3D software



Reliability

CB Test Certificate
Kema-Keur program
Halogen Free & Fire Resistant
Interlock Mechanism for plug in tap-off boxes
ISO 9001, 14001, OHSAS 14001 (ISO 45001), 27001, Green Guard, CPR



Delivery

Best in industry manufacturing time, depending on project size and buy in component lead times
Dedicated emergency production for damaged and fit
Air freight available



2024

North America

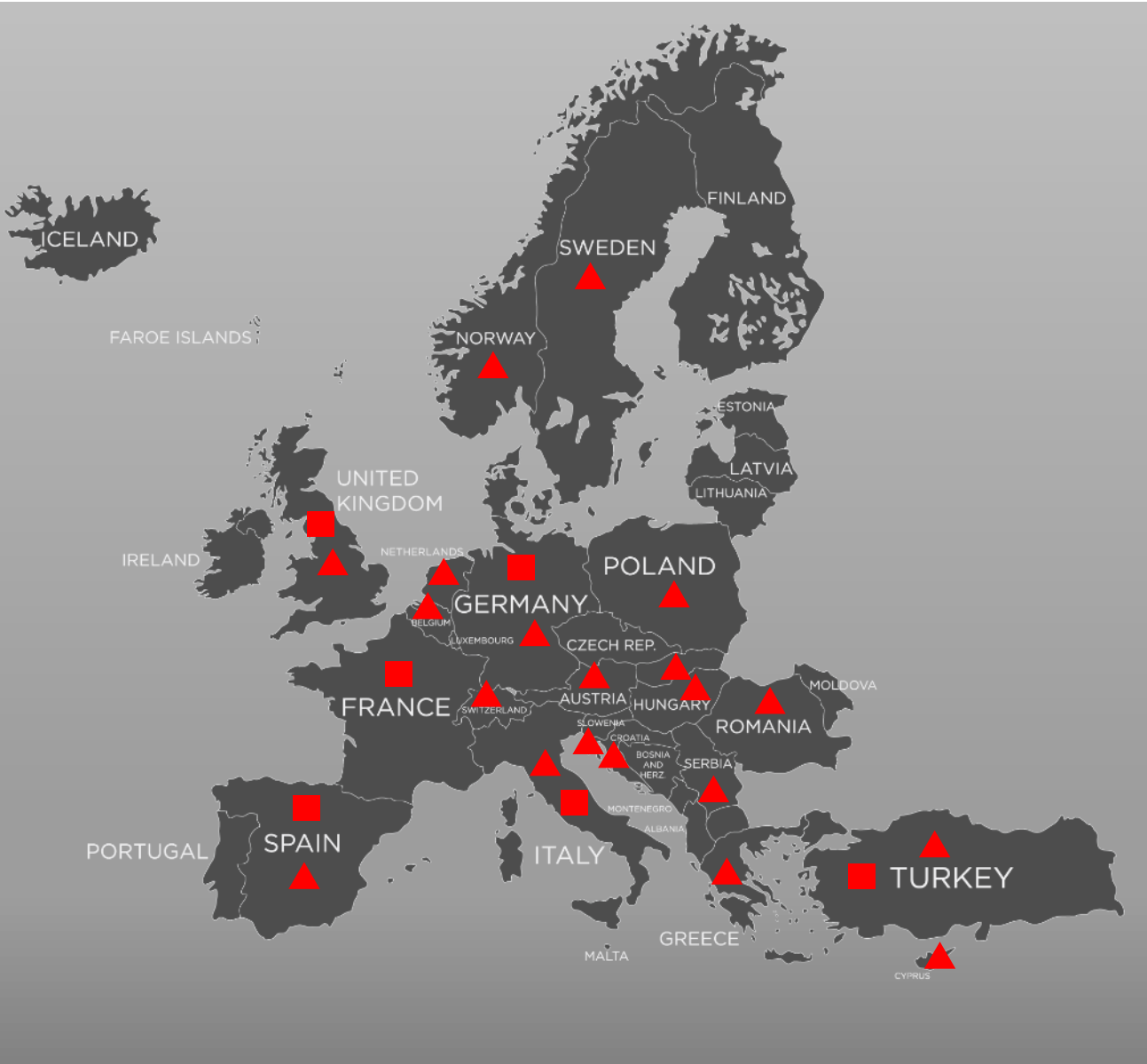


■ EAE Office

USA

▲ EAE Distributors

Mexico



■ EAE Offices

Italy, Germany, United Kingdom, France, Spain

▲ EAE Distributors

Austria, Belgium, Czech Republic, Croatia, Cyprus, Germany, Greece, Hungary, Italy, Netherlands, Macedonia, Norway, Poland, Romania, Serbia, Slovakia, Slovenia, Spain, Sweden, Switzerland, United Kingdom

2024

Health, Safety and Environment Policy Commitment

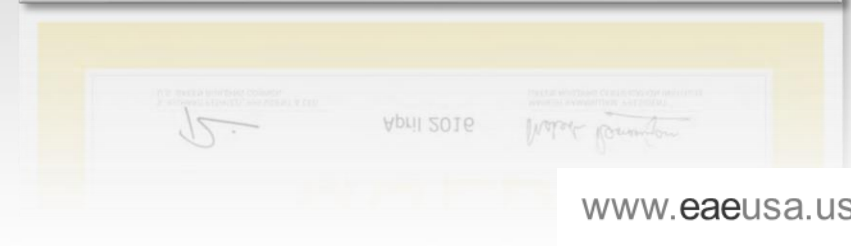


ISO 18001



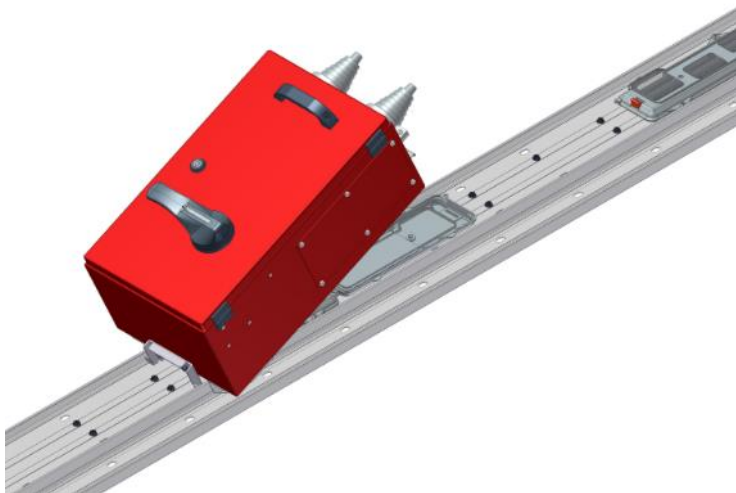
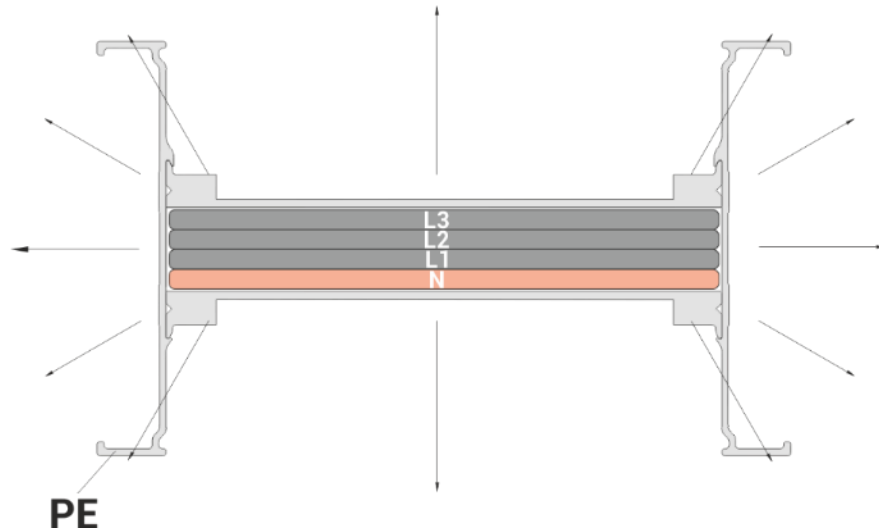
RoHS
compliant

EAE is committed to achieving the highest industry standards of health, safety and environmental performance. We believe zero harm is achievable through engagement and continual improvement. Our board members are accountable for performance delivered through exemplary leadership standards and behaviors



www.eaeusa.us

KX Power Busway – Enclosure Design



KX POWER BUSWAY

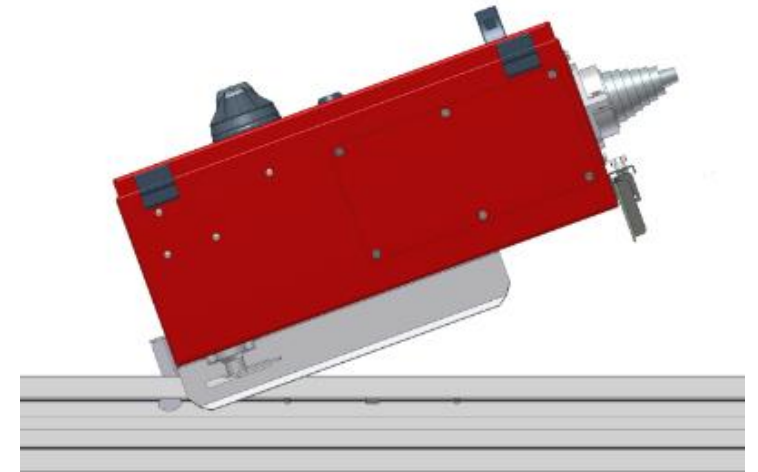
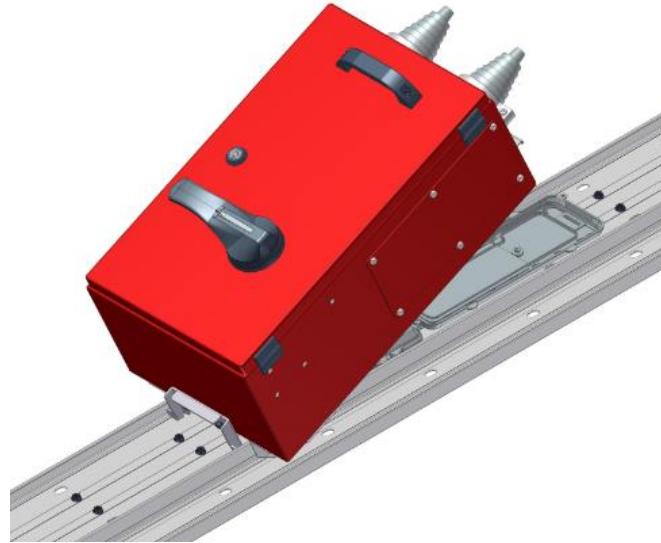
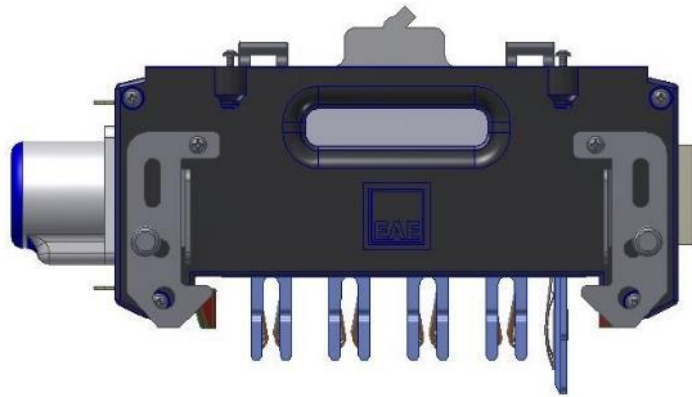
Indoor Busway Systems

400A to 6000A

- UL 857 Listed
- Compact busway structure design to ensure optimal heat dissipation
- Efficient use of light weight raw materials
- KX Busway is designed as a continuous compact system including the plug-in tap off points
- It is easy to handle and install. Reducing labor cost and installation time
- Coated with paint to achieve the highest durability against UV light and corrosion. RAL paint codes available on request
- IP 55/65/67 rated

2024

KX Power Busway – Tap-off Boxes



- Patented Locking Arm
- Easy and reliable installation
- Absolute safety solution
- Ground make, ground break arrangement

Side plates locking mechanisms on both sides; eliminates cable weight forces on the box which may cause contacts to pull back from the busway

CCR Cast Resin Busway

IP Rated Outdoor Busway 400A-6000A

- Aluminum housed cast resin busway, UL classified for the US market
- Utilizes aluminum housing to reduce the size and weight of the busway
- IP 67/68 rated
- Joints can be disassembled



Coming Soon - 2024



USA

www.eaeusa.us

2024

Data Hall Busway



KD DATA RACK BUSWAY

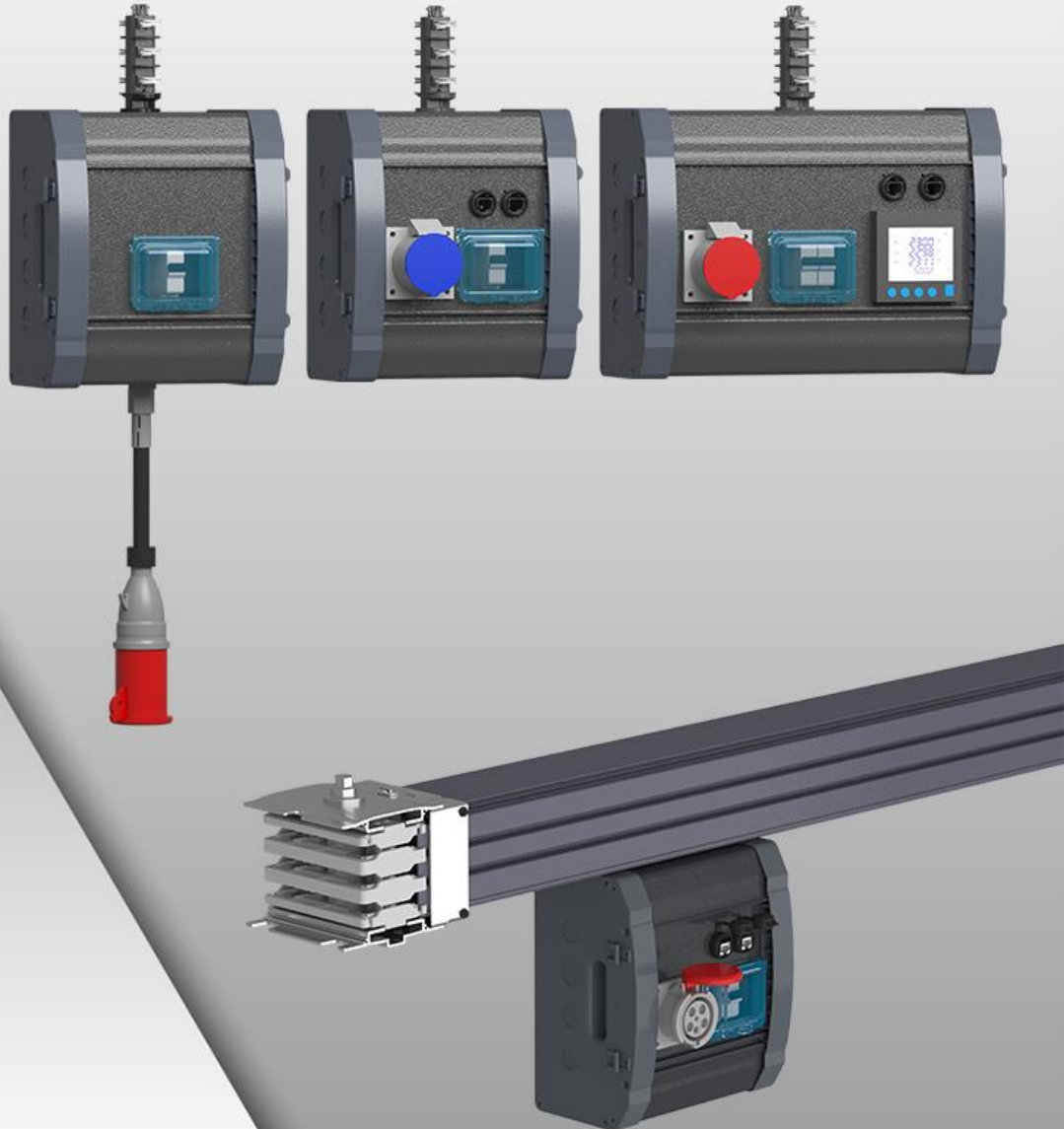
Data Center – Data Hall Busway Systems
160A to 800A

- Plug-n-play anywhere along the bar
- Protected Tap-Off Contacts
- Tap-Off contacts with heat cycle testing
- Al and Cu conductor options
- Safe Alignment mechanism ensures correct installation and operation
- Special interlock mechanism enabling to carry the weight of the plug-in box and cables by the busway housing
- Up to 6 conductor option
- IP23D protection



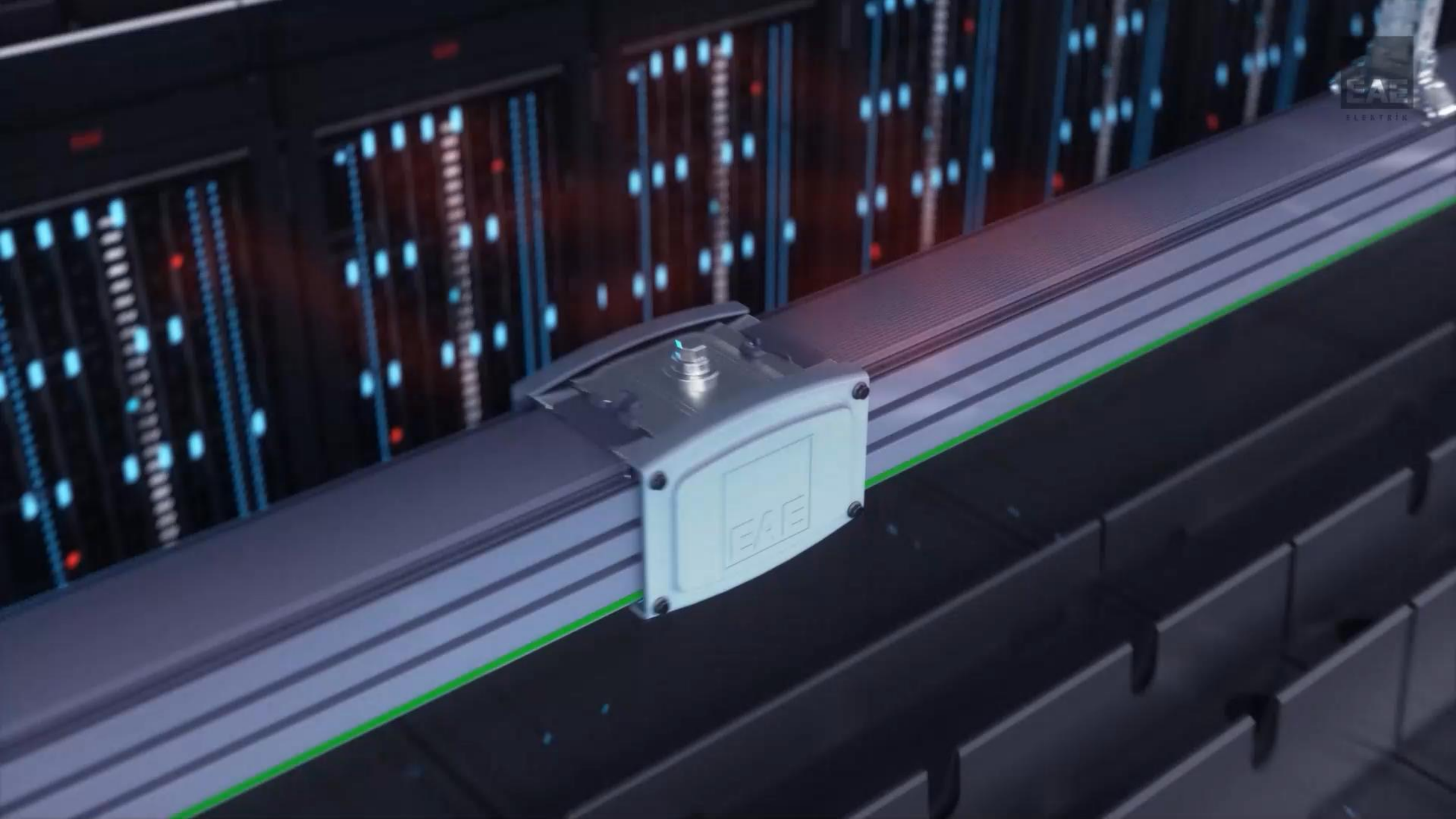
2024

Data Hall Busway



TAP-OFF Units

- KD Plug-in 125 A
- Aluminum Case
- Vendor Neutral Components
- Customization with different setups of MCB, SPD, RCCB, Power Meters, Energy Analyzers, Current Transformers
- Safe Locking Mechanism



EAE
ELEKTRIK

2024

New to US Market- Lighting Busway



KY Lighting Busway

Plug and Play Lighting Busway

- Snap together joints for low labor savings
- In use with standard All thread, can support LED fixtures directly
- EM/DIM circuits available
- Tap plugs can be wired in pre-fab shop or in the field
- 40amp / 25 amp systems
- Ideal for Non-Architectural – Warehouse, Data Center, Production Facility



SERVICES

Pre-Sales Customer Services



3D Project and Technical Support Services



Easy Busbar / Easy Tray Software



Revit, Aveva, Smartplant Solutions



Hands On Supervision Services



Emergency Production Teams



Short Response / Delivery Time

References



DATA CENTERS AT SCALE



SAMSUNG ENGINEERING

RENAISSANCE
HEAVY INDUSTRIES

EQUINIX



Mercedes-Benz



PEUGEOT

